

TECHNICAL DATA SHEET

ITEM NO.	MODEL NO.	AMPS	HP	kW	NET WT.		VOLT	FREQ.
					lbs.	kg		
1206215	2x120R-40M	20/16	4	3.0	335	152	230	60/50 Hz

NOTES:

1. PRESSURE SWITCH SET TO CUT-IN AT 87 PSI & CUT-OUT AT 116 PSI.
2. PRODUCT PERFORMANCE MAY VARY $\pm 10\%$ IN STANDARD PRODUCTION.
3. TECHNICAL DATA SUBJECT TO CHANGE WITHOUT NOTICE.
4. ALL DIMENSIONS ARE FOR REFERENCE ONLY.
5. FOR INDOOR USE ONLY

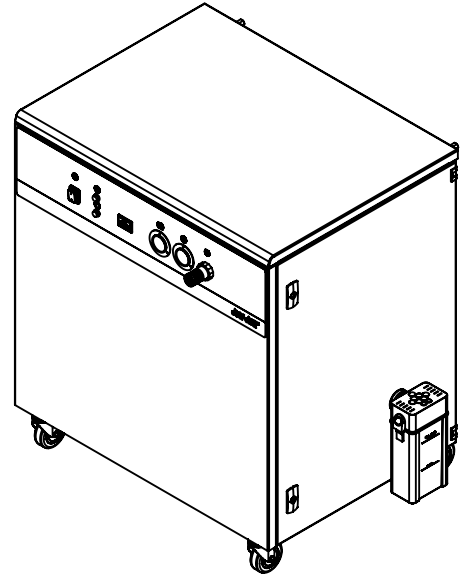
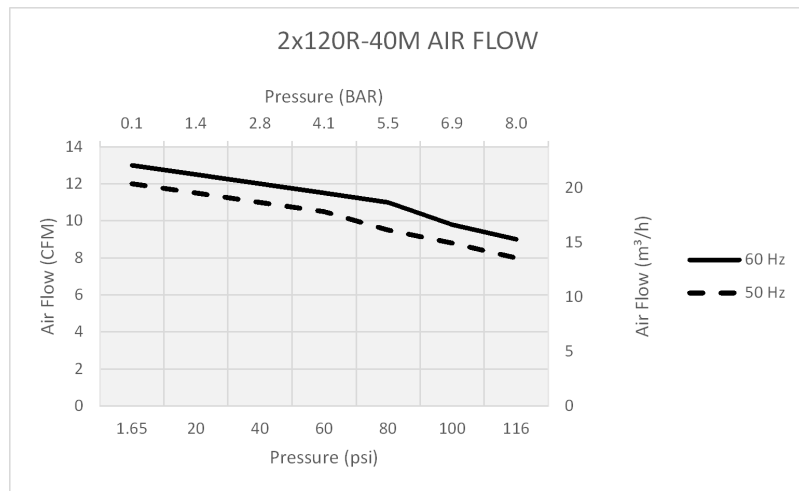
SOUND LEVEL 70 db(A) /1m

NORMAL AMBIENT 5-40°C / 40-104°F

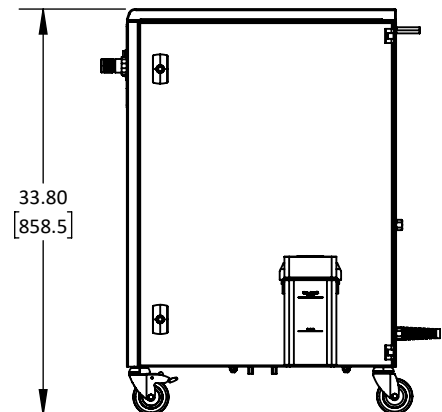
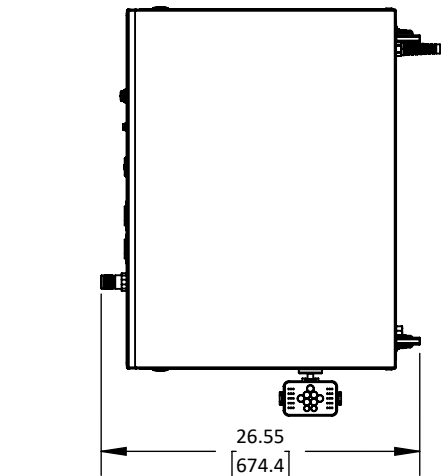
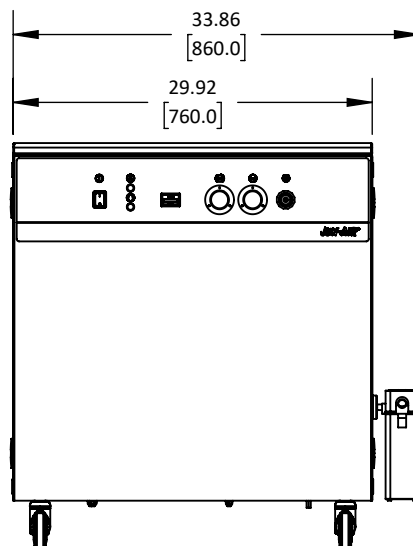
RELATIVE HUMIDITY 20-80% NON CONDENSING

ENVIRONMENT CLEAN / DUST FREE

PRODUCT PERFORMANCE:



PRODUCT DIMENSIONS:





WolfLabs

Pricing on any accessories shown can be found by keying the part number into the search box on our website.

The specifications listed in this brochure are subject to change by the manufacturer and therefore cannot be guaranteed to be correct. If there are aspects of the specification that must be guaranteed, please provide these to our sales team so that details can be confirmed.

www.wolflabs.co.uk

Tel : 01759 301142

Fax : 01759 301143

sales@wolflabs.co.uk

Please contact us if this literature doesn't answer all your questions.